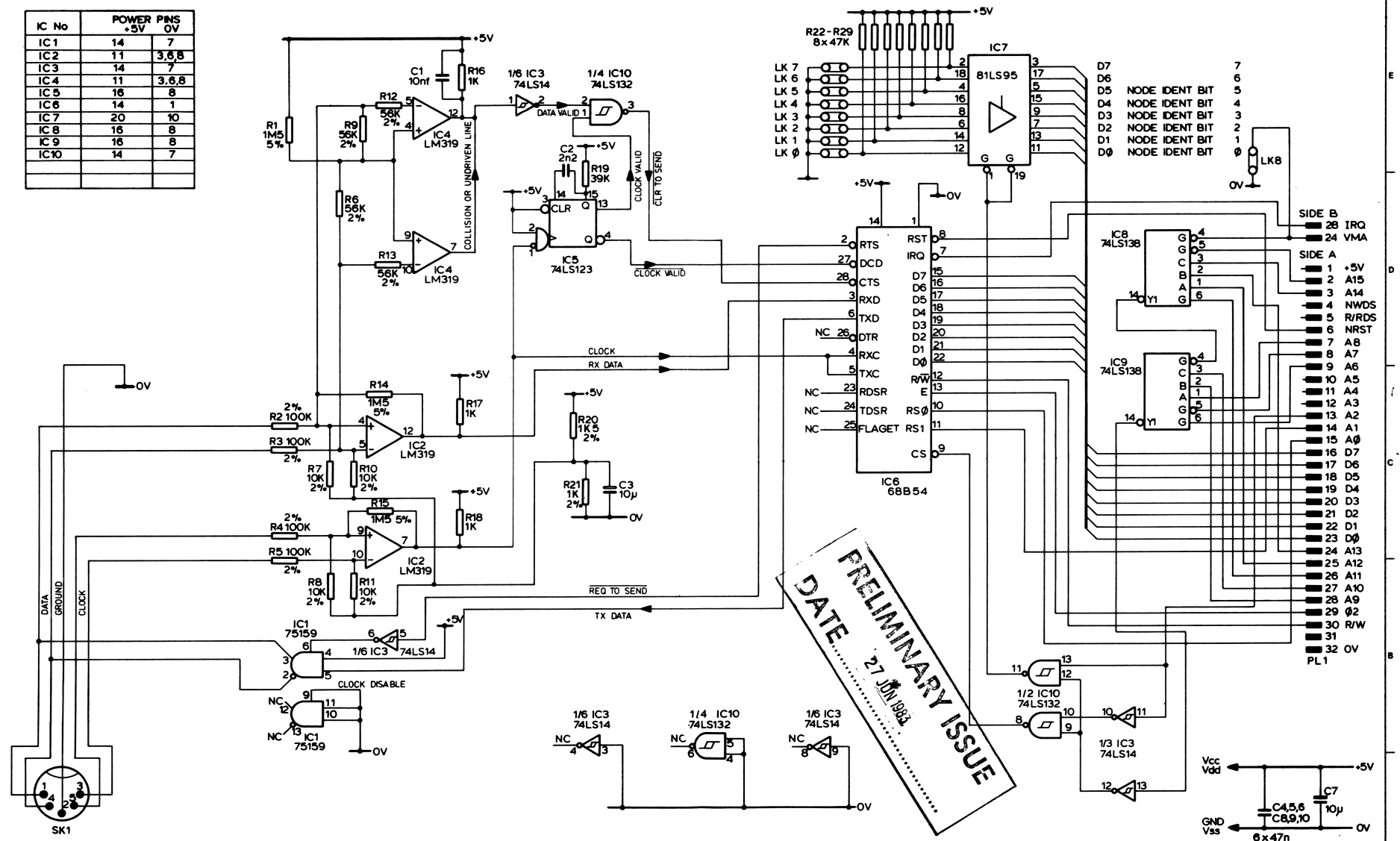


IC No	POWER PINS	
	+5V	0V
IC1	14	7
IC2	11	3,6,8
IC3	14	7
IC4	11	3,6,8
IC5	16	8
IC6	14	1
IC7	20	10
IC8	16	8
IC9	16	8
IC10	14	7



ISSUE - 2	REDRAWN									TOLERANCE	TITLE	©COPYRIGHT 1982 ACORN COMPUTERS Ltd FULBURN ROAD CHERRY HINTON CAMBRIDGE CB1 4JN
DATE 7 82										FINISH	ECONET NODE CIRCUIT DIAGRAM (EUROCARD VERSION)	
DRAWN R.J.C										MATERIAL	DRG. No. 100,024/C	

AD86L C7/288